

chicago scenic studios rentals



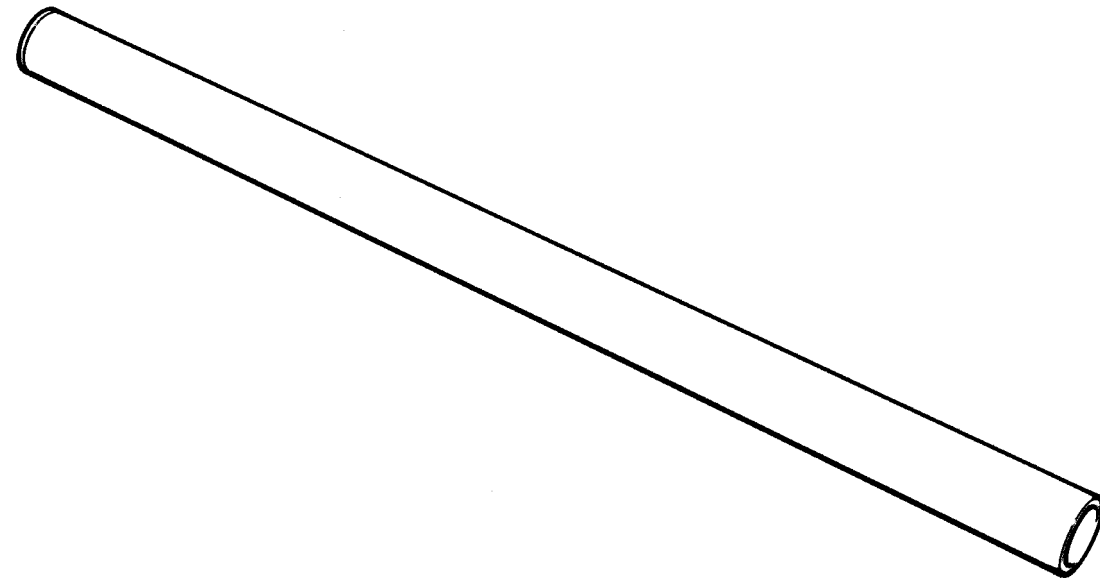
# Accessories

**Catalog**

May 2007

**ACCESSORIES:**

Legs and Caster Sleeves.....12  
Leg End Caps .....13  
Leg Rack .....14  
Ramp .....15  
Guardrails.....16  
Guardrail Backplate .....17  
Moveable Handrail Uprights.....18  
Low Height Guardrails .....19  
Guardrail Rack .....20  
7 Step Adjustable Stairs .....21  
5 Step Adjustable Stairs .....22  
3 Step Adjustable Stairs .....23  
6", 12" Box Tread .....24  
1" Box Tread Lifter .....25  
4' x 8' Deck Tops.....26  
Car Ramps .....27  
12" Caster .....28  
8" Swivel Caster .....29  
Caster Sleeve.....30  
Moveable Corner Posts .....31  
Screwjack .....32  
Adjusting Foot .....33  
Bar Grating (Aluminum).....34  
Packing .....35



**DESCRIPTION:**

Standard leg supplied in steel pipe. Any length of leg can be supplied. Standard stock heights shown below. All legs supplied with black plastic inserts to protect studio floors. All legs supplied galvanized.

**STANDARD STOCK:**

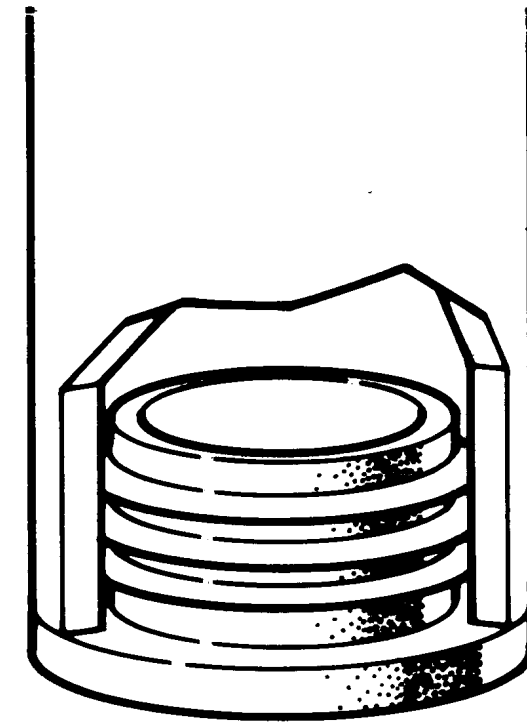
Length	Length	Length	Length
8"	20" (1' 8")	40" (3' 4")	66" (5' 6")
9"	21" (1' 10")	42" (3' 6")	72" (6')
10"	24" (2')	48" (4')	78" (6' 6")
11"	28" (2' 4")	49" (4' 1")	84" (7')
12" (1')	30" (2' 6")	54" (4' 6")	90" (7' 6")
14" (1' 2")	32" (2' 8")	56" (4' 8")	96" (8')
16" (1' 4")	35" (2' 11")	60" (5')	108" (9')
18" (1' 6")	36" (3')	63" (5' 3")	120" (10')

**TECHNICAL SPECIFICATIONS:**

CARRYING WEIGHT	LOAD CAPACITY
2.7 lbs./per ft.	6000 lbs.

**RELATED ACCESSORIES:**

- Couplers
- Casters
- Leg End Caps
- Leveling Screwjacks
- Leg Racks



**DESCRIPTION:**

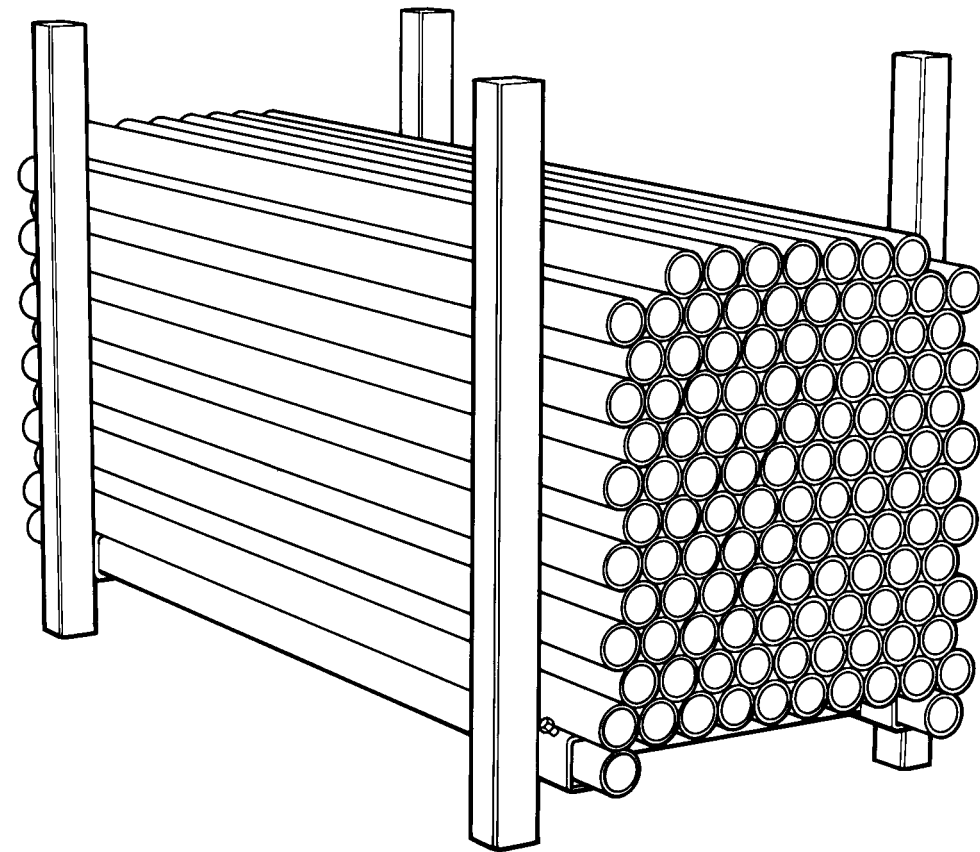
Black plastic cap insert to fit into end of 1 1/2" Schedule 40 steel pipe. Supplied to protect studio floors – fitted one end of leg pipes.

**TECHNICAL SPECIFICATIONS:**

CARRYING WEIGHT	LOAD CAPACITY
30 caps= 1 lb.	N/A

**RELATED ACCESSORIES:**

- Legs



**DESCRIPTION:**

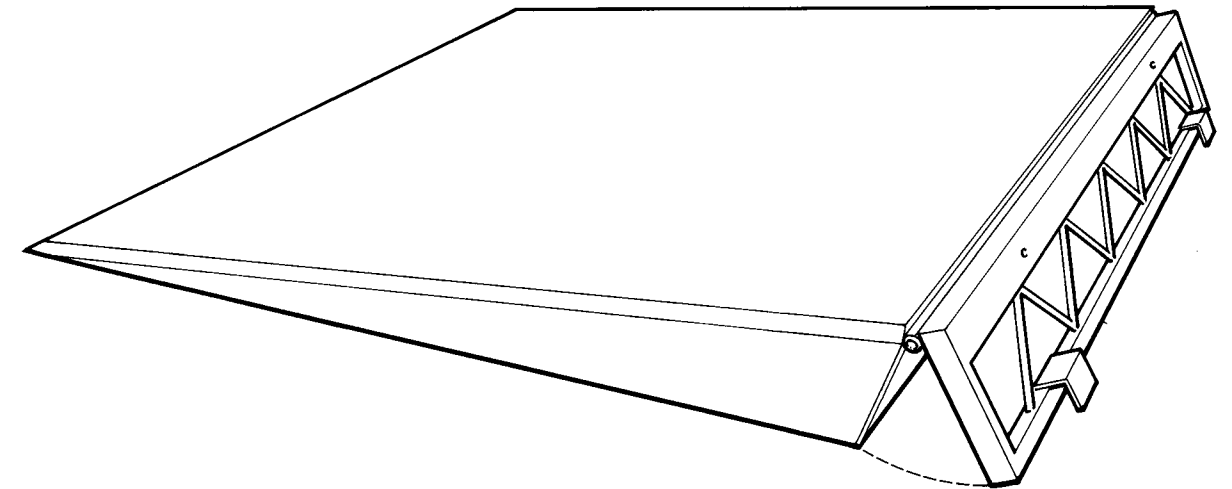
Leg Rack. Two H-frames made from steel tube, connected by any two 1 1/2" Schedule 40 steel pipes. Held in place by M12 x 30 pinch bolts. The rack holds 150 legs and can be fork lifted, pallet jacked, or mounted on leg rack casters. Finish: zinc plated.

**TECHNICAL SPECIFICATIONS:**

CARRYING WEIGHT	LOAD CAPACITY
40 lbs.	4000 lbs.

**RELATED ACCESSORIES:**

- Legs
- Leg End Caps
- Leg Rack Caster



**DESCRIPTION:**

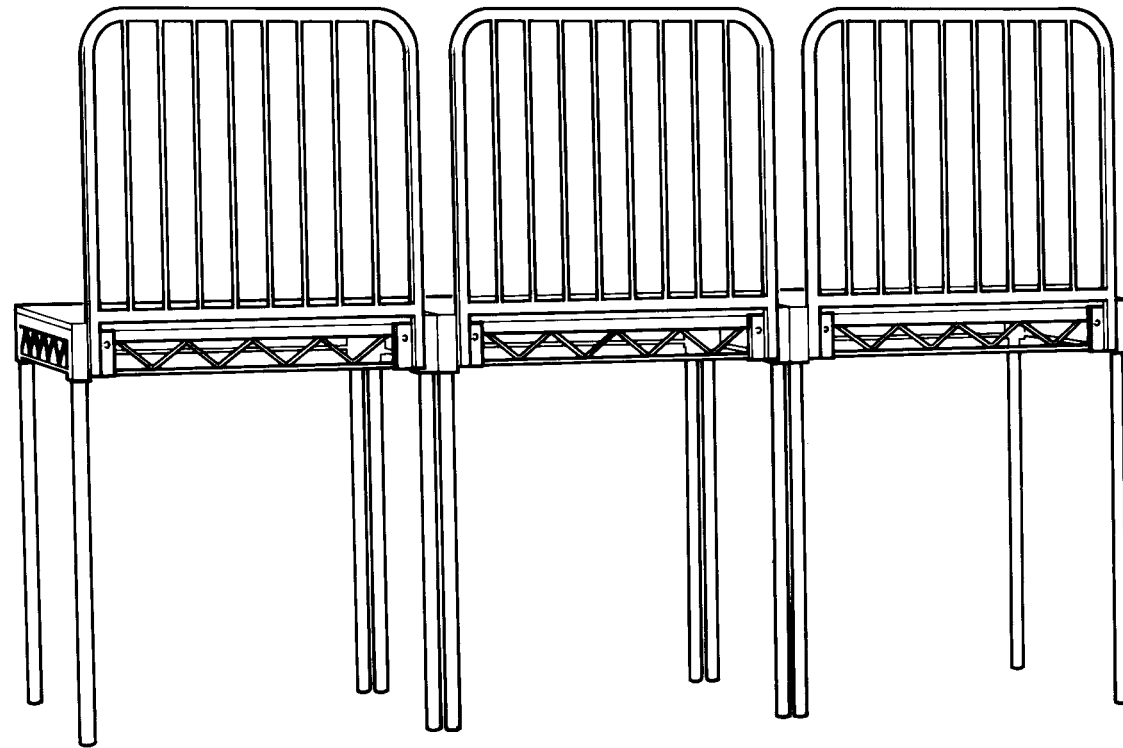
Ramp. Zinc plated steel construction with hinged Steeldeck® platform truss to hook and bolt to straight edge of a standard deck. Top surface of ramp is black painted 3/4" plywood.

**TECHNICAL SPECIFICATIONS:**

CARRYING WEIGHT	LOAD CAPACITY
165 lbs.	4000 lbs.

**RELATED ACCESSORIES:**

- Decks



**DESCRIPTION:**

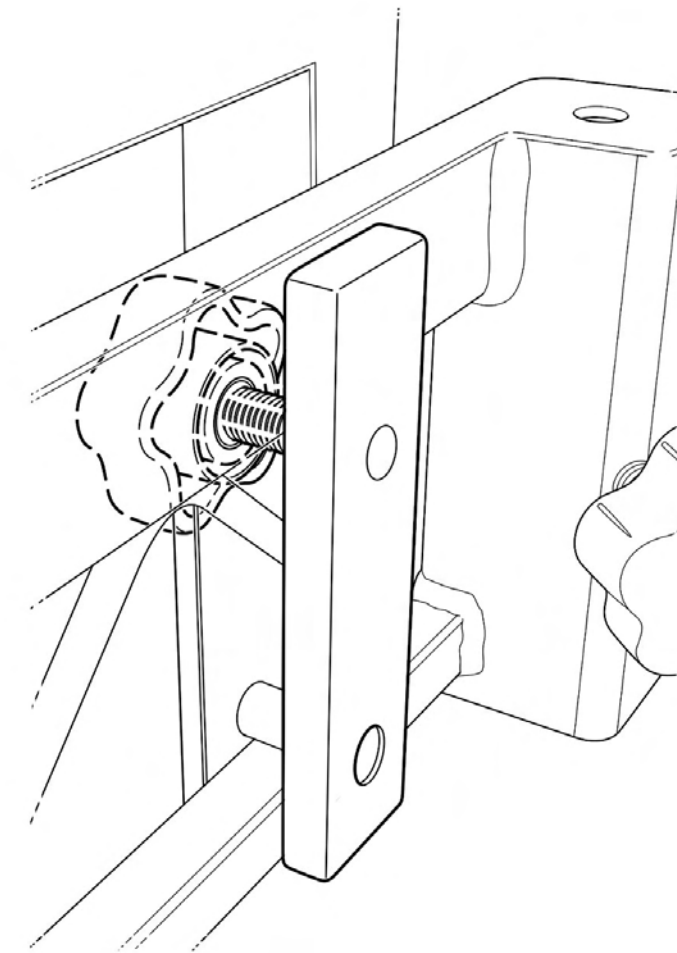
Guardrails are used to form a safe 44" high barrier around the edges of platforms. Guardrails attach to the truss of Steeldeck® platforms using a back plate and hand knob. Guardrails are supplied in 4', 3' and 2' sections, as well as custom lengths and heights. Perimeter frame is made from 14 gage 1 1/2" square steel tubing; pickets are made from 16 gage 3/4" square steel tubing. Finished in black powder coat.

**TECHNICAL SPECIFICATIONS:**

NEW GUARDRAILS	CARRYING WEIGHT	LOAD CAPACITY
4'	40 lbs.	Uniform Buiding Code
3'	35 lbs.	Uniform Buiding Code
2'	27 lbs.	Uniform Buiding Code

**RELATED ACCESSORIES:**

- Guardrail Backplates
- Decks
- Guardrail Rack
- Moveable Handrail Uprights



**DESCRIPTION:**

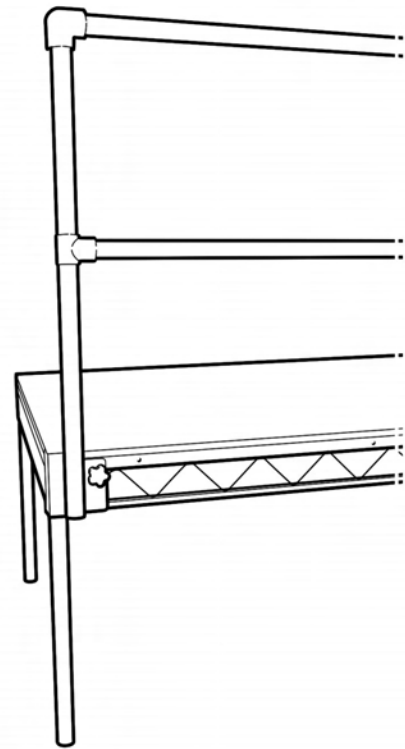
Guardrail Backplate. 1/2" x 1 1/2" steel plate with hand knob, used to secure guardrails in position on Steeldeck® platform truss. Finish: zinc plate.

**TECHNICAL SPECIFICATIONS:**

CARRYING WEIGHT	LOAD CAPACITY
1 lb.	N/A

**RELATED ACCESSORIES:**

- Guardrails
- Decks
- Guardrail Rack
- Moveable Handrail Uprights



**DESCRIPTION:**

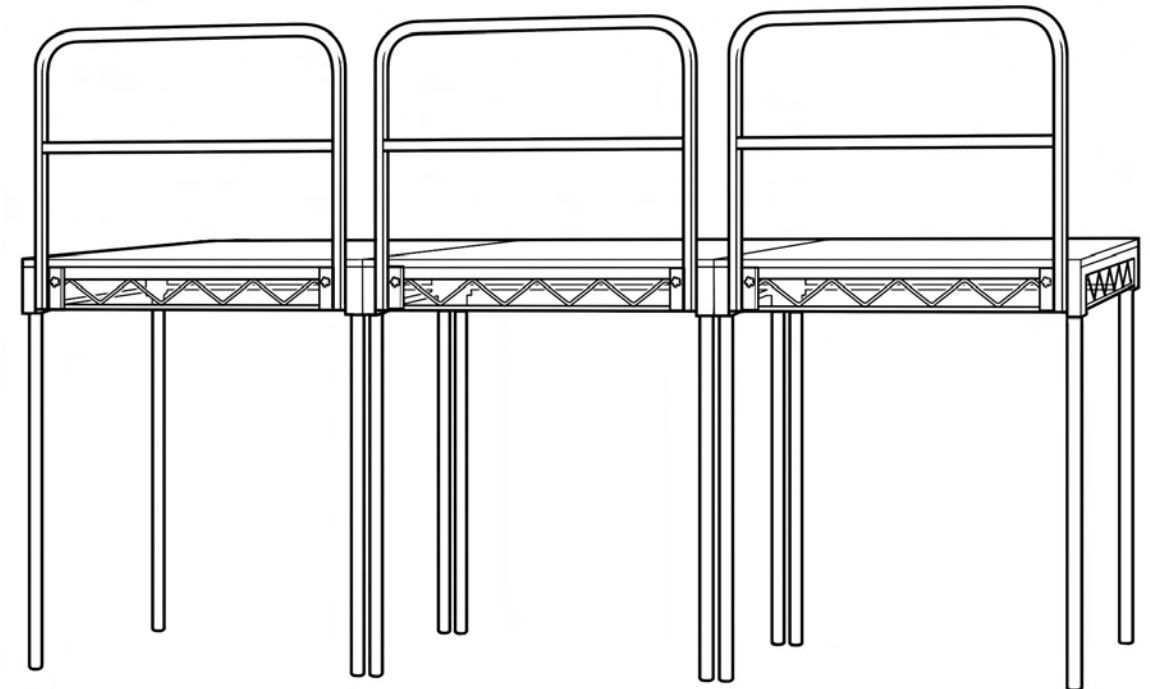
Moveable Handrail Uprights. Made from 1 1/2" Schedule 40 steel pipe. Attaches with a standard guardrail backplate to any point on the perimeter of a Steeldeck® platform. Allows the construction of a 44" high custom rail system (using panels or rails) employing slip on pipe fittings. Finished in zinc plate.

**TECHNICAL SPECIFICATIONS:**

<u>CARRYING WEIGHT</u>	<u>LOAD CAPACITY</u>
11 lbs.	200 lbs.

**RELATED ACCESSORIES:**

- Guardrail Backplates
- Decks
- Guardrail Rack



**DESCRIPTION:**

Low height guardrails are used to form a 26" high barrier at the front of a platform used as an audience bleacher as allowed by uniform building code. Low height guardrails attach to the truss of Steeldeck® platforms using a clamp-on back plate and hand knob. Guardrails are supplied in 4' length, as well as custom lengths. Frame is made from 14 gage 1 1/2" square steel tubing. Finished in black powder coat.

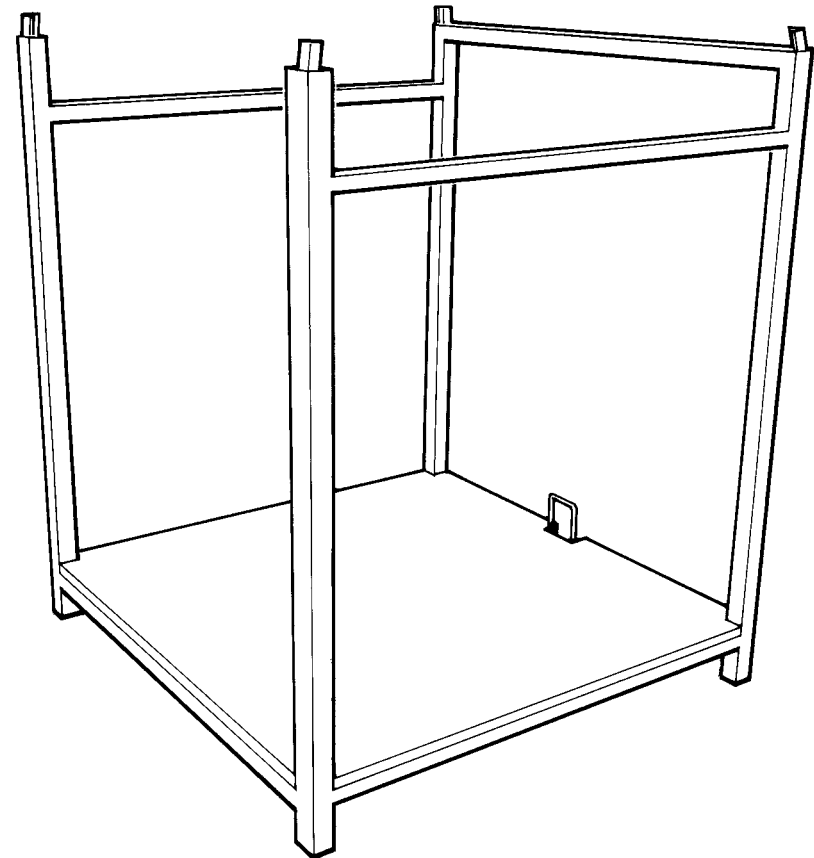
**TECHNICAL SPECIFICATIONS:**

<u>NEW GUARDRAILS</u>	<u>CARRYING WEIGHT</u>	<u>LOAD CAPACITY</u>
4'	21 lbs.	Uniform Building Code

**RELATED ACCESSORIES:**

- Guardrail Backplates
- Decks
- Guardrail Rack
- Moveable Handrail Uprights

Guardrail Rack



**DESCRIPTION:**

Guardrail Rack. Constructed from 2" x 2" steel tube with ply base board. The rack provides transportation for 24 guardrails held in place by ratchet strap. Rack can be fork lifted or pallet jacked. Finished in black.

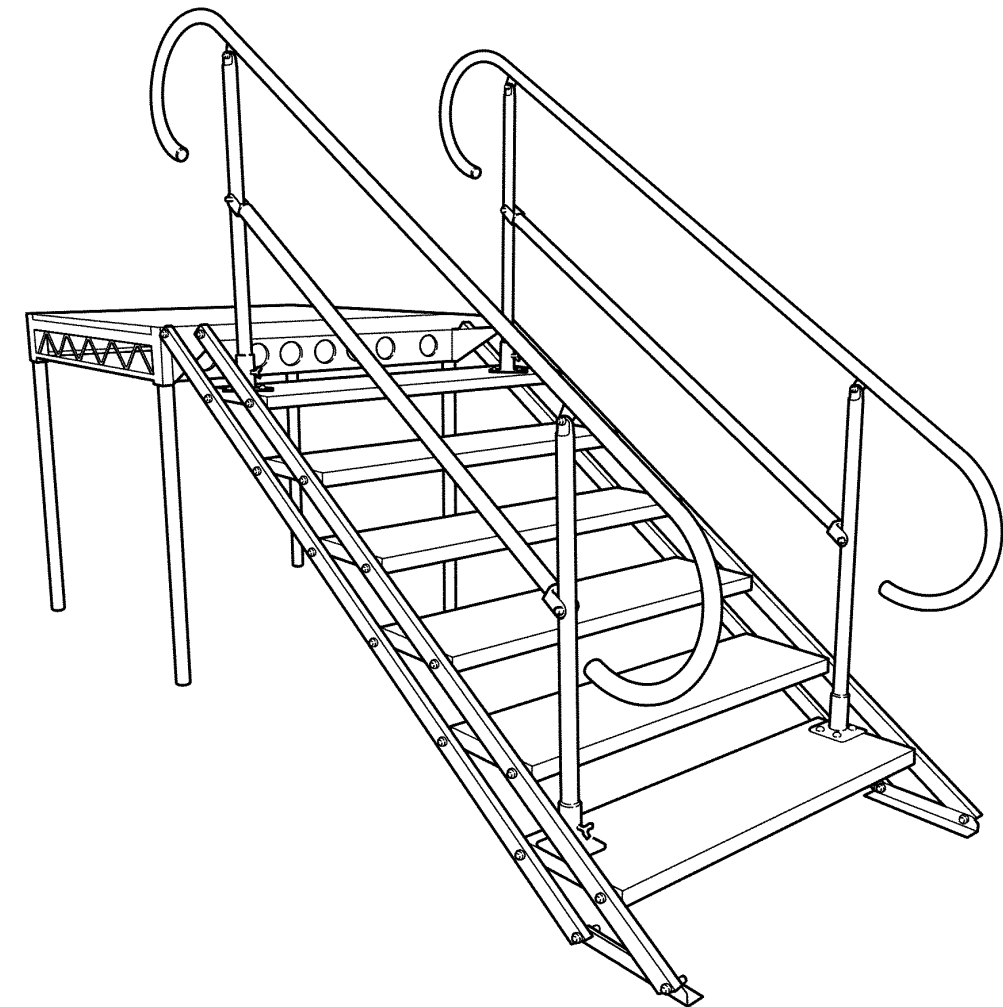
**TECHNICAL SPECIFICATIONS:**

	CARRYING WEIGHT	LOAD CAPACITY
4'	189 lbs.	2200 lbs.
3'	170 lbs.	2000 lbs.
2'	140 lbs.	1500 lbs.

**RELATED ACCESSORIES:**

- Guardrails

7 Step Adjustable Stairs



**DESCRIPTION:**

7 Step adjustable stair unit. Constructed from steel tubing and extruded aluminum treads. Max. height 56" with 8" rise. Min. height 28" with 4" rise. Unit can be attached to any deck edge that is 4' or more in length. Finish: Aluminum – mill finish; steel stringers – zinc plate; handrails – wrinkle finish black powder coat.

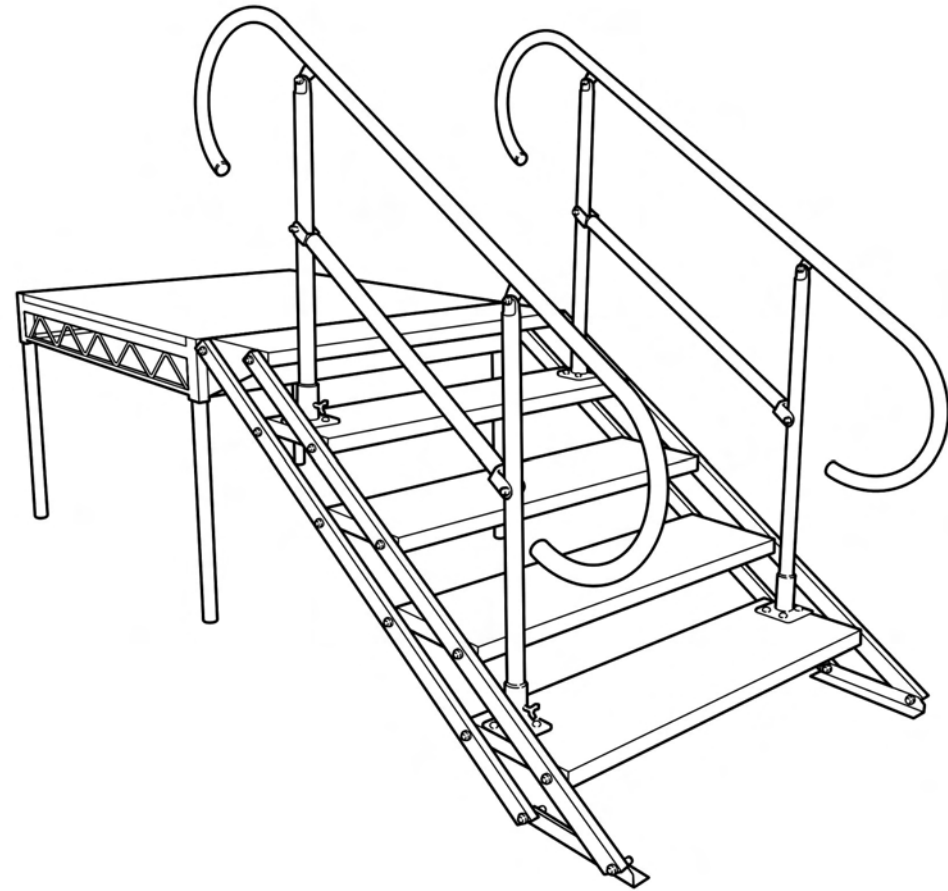
**TECHNICAL SPECIFICATIONS:**

	CARRYING WEIGHT (including handrails)	LOAD CAPACITY
7 Step	255 lbs.	Uniform Building Code

**RELATED ACCESSORIES:**

- Decks

5 Step Adjustable Stairs



**DESCRIPTION:**

5 Step adjustable stair unit. Constructed from steel tubing and extruded aluminum treads. Max. height 40" with 8" rise. Min. height 20" with 4" rise. Unit can be attached to any deck edge that is 4' or more in length. Finish: Aluminum – mill finish; steel stringers – zinc plate; handrails – wrinkle finish black powder coat.

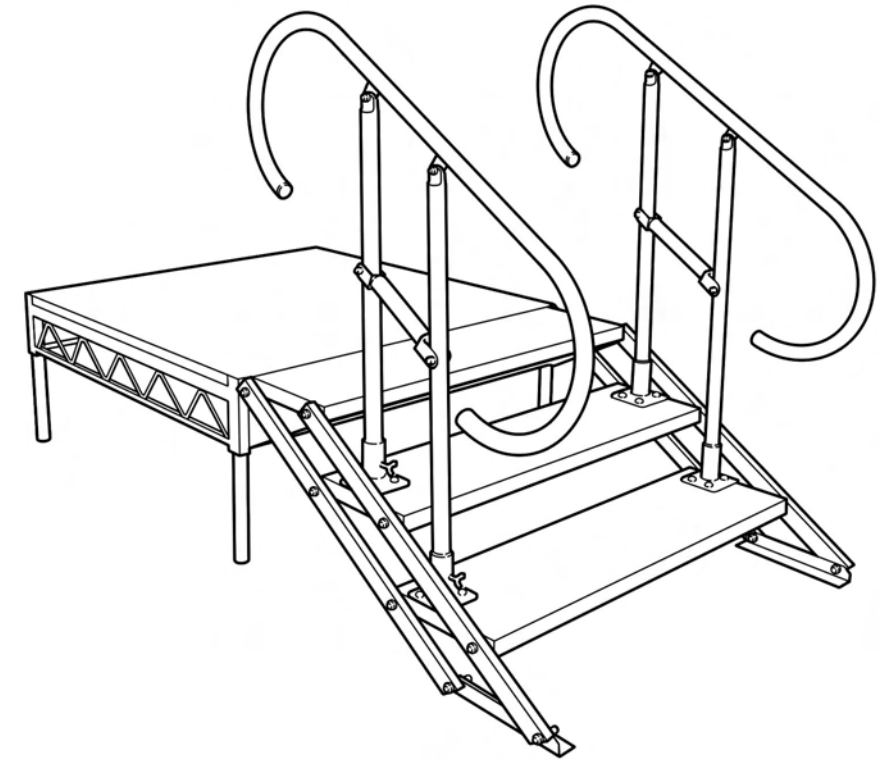
**TECHNICAL SPECIFICATIONS:**

	CARRYING WEIGHT (including handrails)	LOAD CAPACITY
5 Step	192 lbs.	Uniform Building Code

**RELATED ACCESSORIES:**

- Decks

3 Step Adjustable Stairs



**DESCRIPTION:**

3 Step adjustable stair unit. Constructed from steel tubing and extruded aluminum treads. Max. height 24" with 8" rise. Min. height 12" with 4" rise. Unit can be attached to any deck edge that is 4' or more in length. Finish: Aluminum – mill finish; steel stringers – zinc plate; handrails – wrinkle finish black powder coat.

**TECHNICAL SPECIFICATIONS:**

	CARRYING WEIGHT (including handrails)	LOAD CAPACITY
3 Step	132 lbs.	Uniform Building Code

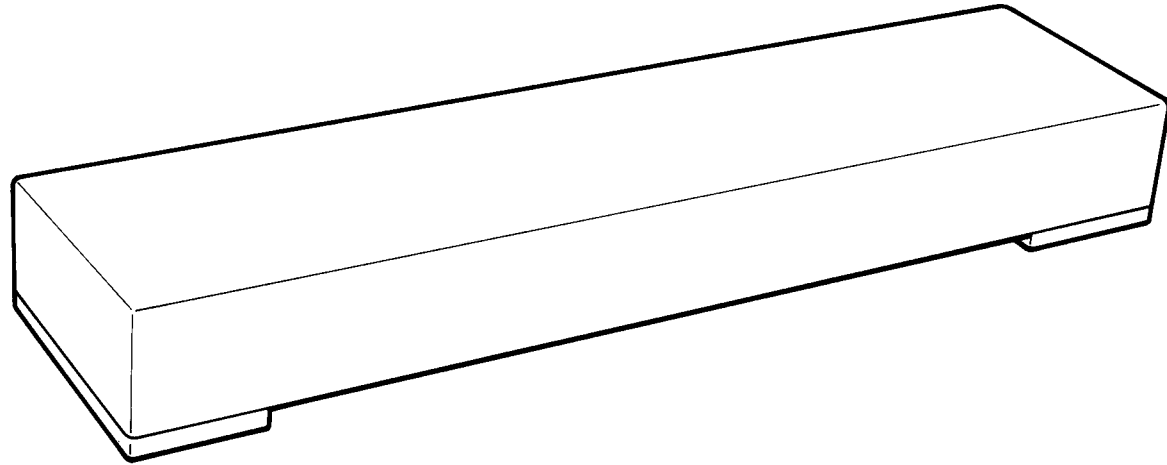
**RELATED ACCESSORIES:**

- Decks



## Accessories

Box Tread 6"  
Box Tread 12"



### DESCRIPTION:

Box Tread 6". Constructed from 3/4" plywood. Offers single step 6" x 12" x 48".  
Finish: black.

Box Tread 12". Constructed from 3/4" plywood. Offers single step 12" x 12" x 48".  
Screws to 6" box tread to provide stairs to 18" high stage. Finish: black.

### TECHNICAL SPECIFICATIONS:

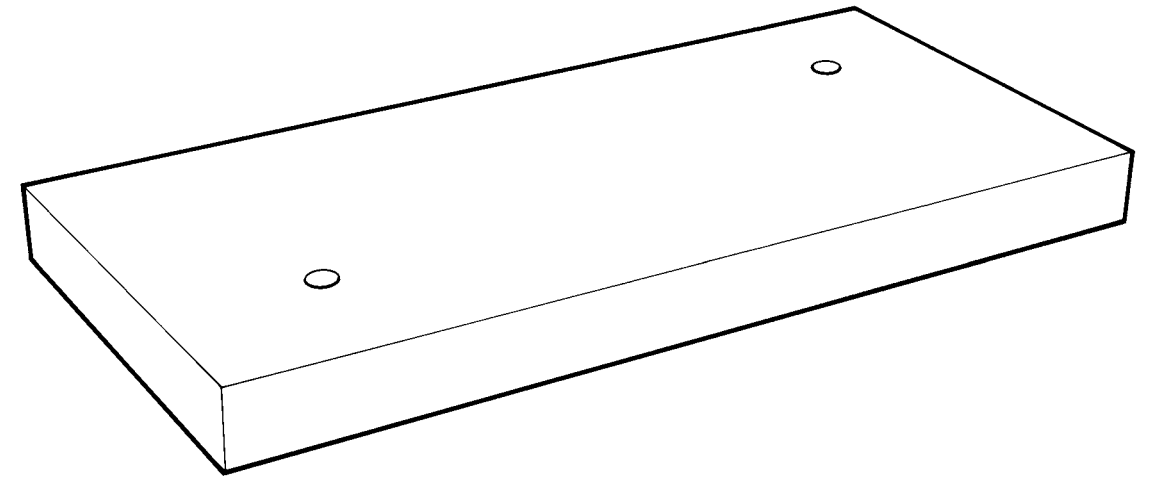
	CARRYING WEIGHT	LOAD CAPACITY
Box Tread 6"	20 lbs.	300 lbs.
Box Tread 12"	28 lbs.	300 lbs.

### RELATED ACCESSORIES:

- Decks
- 12" Box Tread
- 1" Box Tread Lifter

## Accessories

1" Box Tread Lifter



### DESCRIPTION:

1" Box Tread Lifter. Made from mdf. Used with box tread to offer additional height, in 1" increments, 7", 8" etc. 6" x 12" x 1" blocks pre-drilled to fix to base of box treads.  
Finished in black.

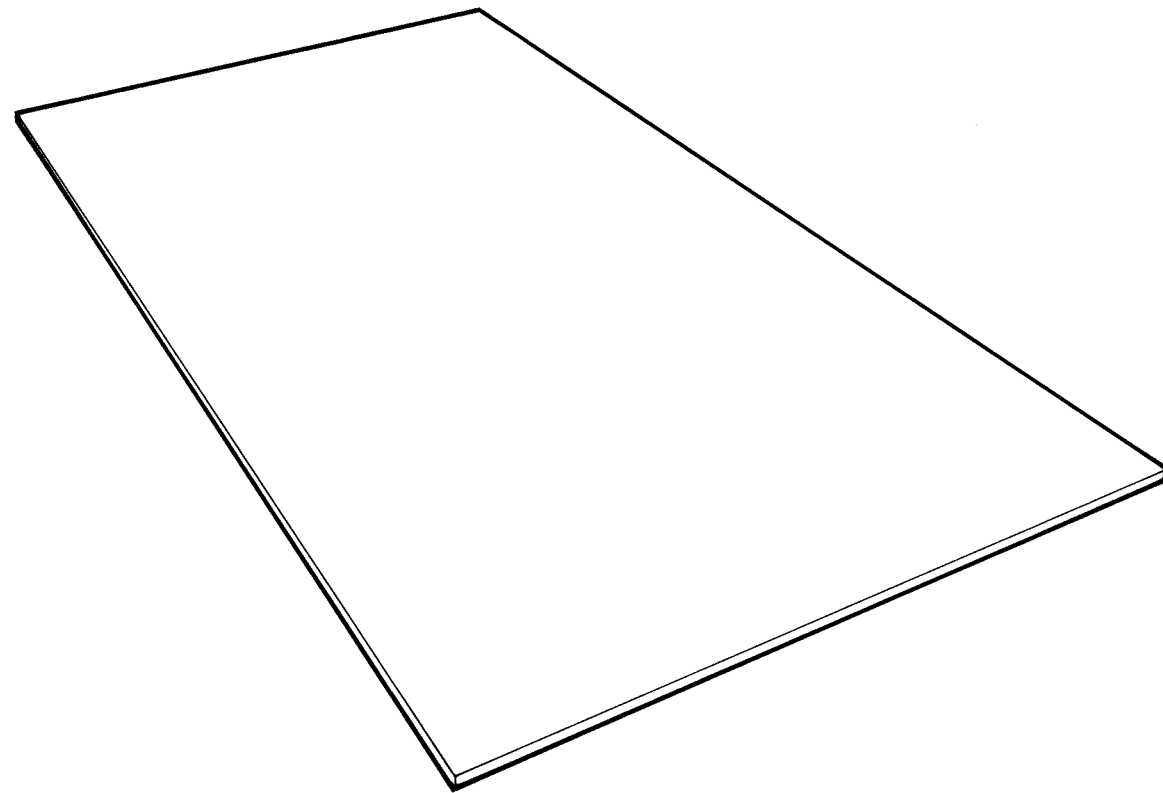
### TECHNICAL SPECIFICATIONS:

CARRYING WEIGHT	LOAD CAPACITY
2 lbs.	300 lbs.

### RELATED ACCESSORIES:

- Decks
- 6" Box Tread

4' x 8' Double Skin



**DESCRIPTION:**

4' x 8' Double Skin. High quality 1 1/8" plywood, smooth finish. Used to double skin decks for heavy loads.

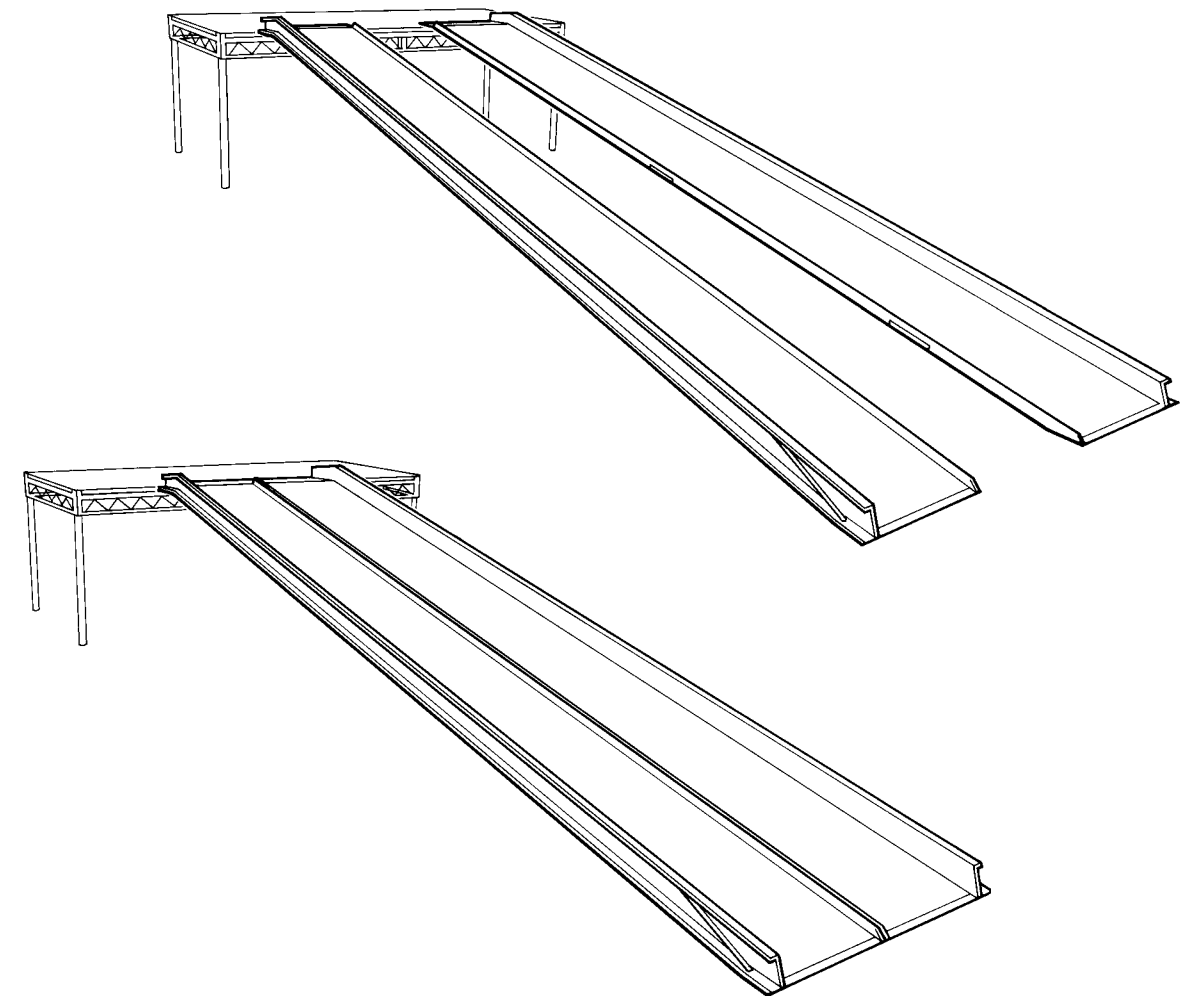
**TECHNICAL SPECIFICATIONS:**

CARRYING WEIGHT	LOAD CAPACITY
67 lbs.	N/A

**RELATED ACCESSORIES:**

- Decks

Car Ramps



**DESCRIPTION:**

Car Ramps. 18" wide x 16' long – constructed from aluminum. Max height for use 4'. Ramp lays on standard decks for use with car exhibits or to wheel equipment onto platforms. Provides safe and smooth ground-to-stage deck access. Ramps also have anti-slip surface.

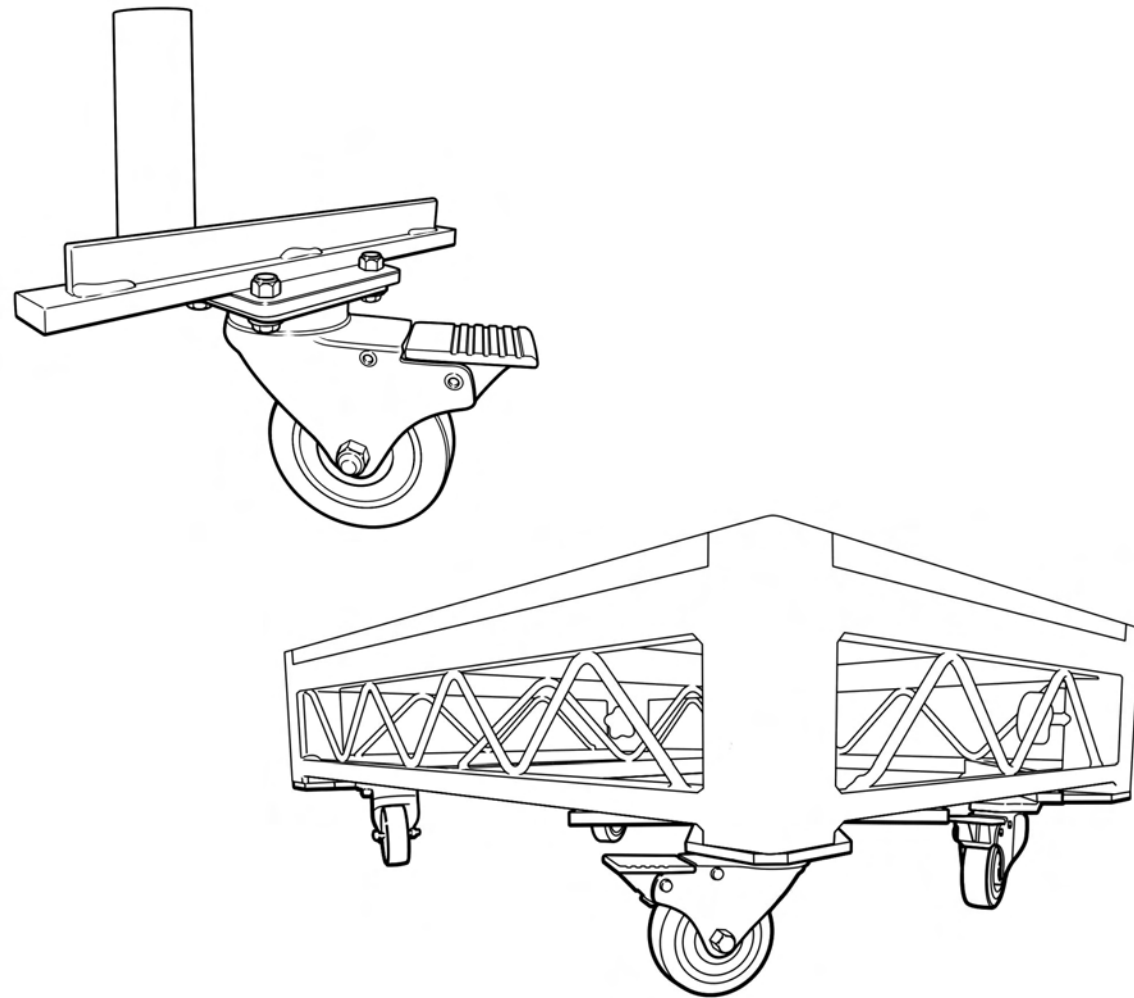
**TECHNICAL SPECIFICATIONS:**

CARRYING WEIGHT	LOAD CAPACITY
116 lbs.	3000 lbs.

**RELATED ACCESSORIES:**

- Decks

12" Caster



**DESCRIPTION:**

12" caster and bracket allows a rolling Steeldeck® platform to be built at a finished height of 12". Four casters are used per platform, and platforms can be joined together to make larger rolling stages. Made from steel, with a non-marring rubber wheel. Each caster is fitted with a brake which prevents the wheel from both rolling and castering. Wheels caster within the plan of each deck, so platforms can be brought together. Ideal for rolling drum risers.

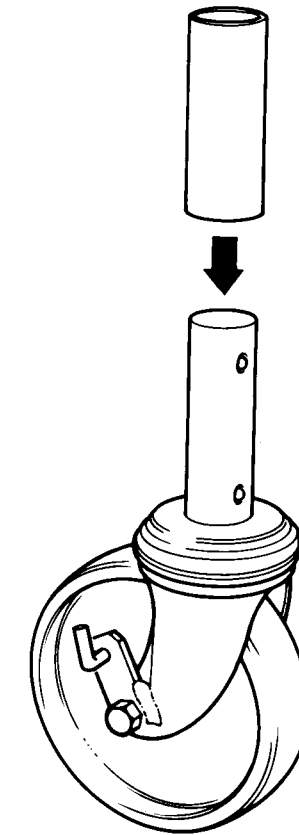
**TECHNICAL SPECIFICATIONS:**

CARRYING WEIGHT	LOAD CAPACITY
7 lbs.	400 lbs.

**RELATED ACCESSORIES:**

- Decks

8" Swivel Caster



**DESCRIPTION:**

8" Swivel Caster. Heavy duty white nylon swivel caster. Shaft needs to be fitted with caster sleeve to fit to standard deck corner post. Useful for turning a Steeldeck® platform into a cart for moving decks or other objects. Whole platforms can be built on casters at any height up to 8 ft., for moving heavy objects (cars, scenery etc).

**TECHNICAL SPECIFICATIONS:**

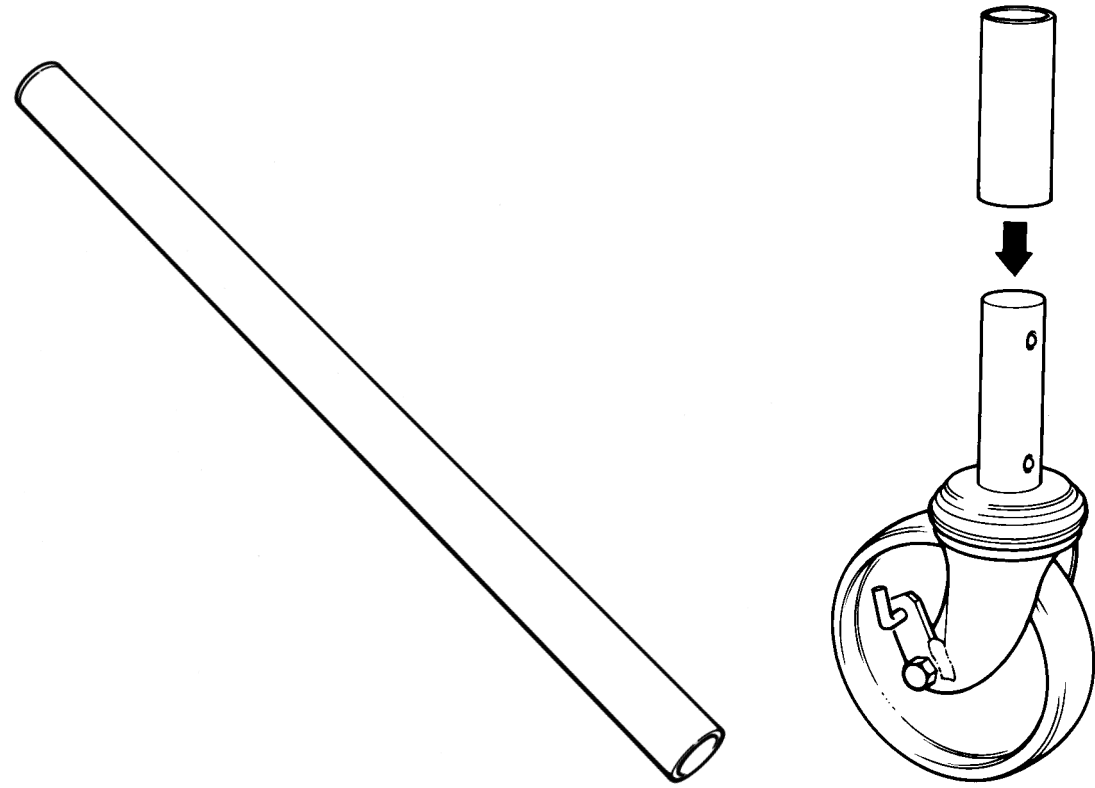
CARRYING WEIGHT	LOAD CAPACITY
8 lbs.	2000 lbs.

**RELATED ACCESSORIES:**

- Decks
- Legs
- Caster Sleeve

## Accessories

### Caster Sleeve



#### DESCRIPTION:

Caster Sleeve. Used with 8" swivel caster to upgrade the shaft to 1 1/2" dia. pipe to fit into a Steeldeck® platform corner post.

#### Available Sleeve Lengths:

Min. Height 20"	42" (3' 6")	66" (5' 6")	90" (7' 6")
24" (2')	48" (4')	72" (6')	96" (8')
30" (2' 6")	54" (4' 6")	78" (6' 6")	
36" (3')	60" (5')	84" (7')	

#### TECHNICAL SPECIFICATIONS:

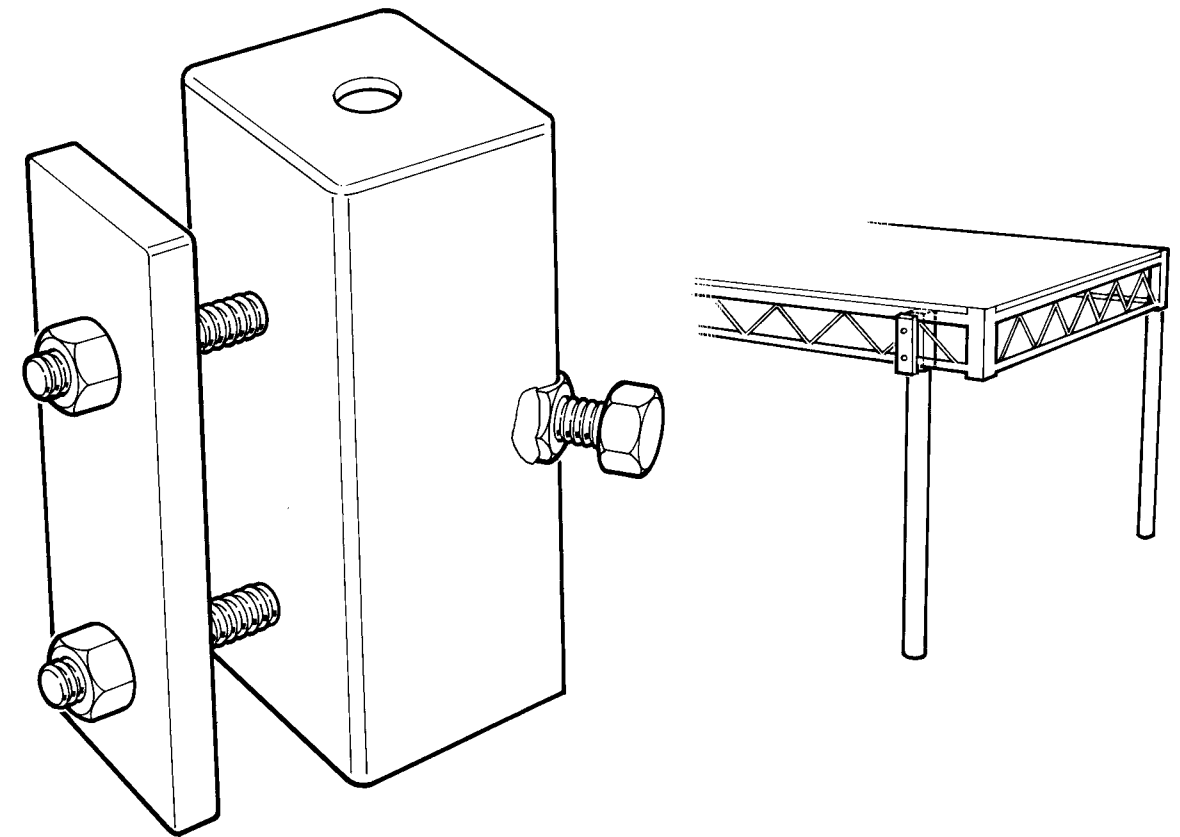
CARRYING WEIGHT	LOAD CAPACITY
2.7 lbs./ft.	2000 lbs.

#### RELATED ACCESSORIES:

- Decks
- Legs
- Casters

## Accessories

### Moveable Corner Posts



#### DESCRIPTION:

Moveable Corner Posts. Same construction as standard Steeldeck® platform corner post, except that the unit comes with a back plate so that it can be bolted in any position along the frame of the deck. Provides leg position when the platform has to cantilever to clear an obstruction.

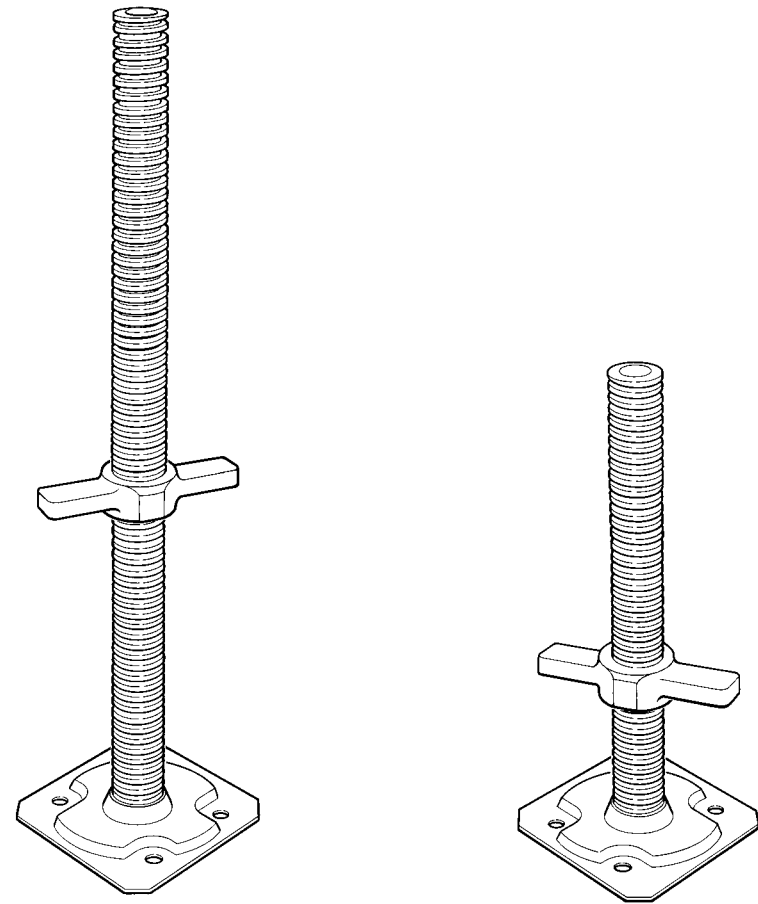
#### TECHNICAL SPECIFICATIONS:

CARRYING WEIGHT	LOAD CAPACITY
4 lbs.	200 lbs.

#### RELATED ACCESSORIES:

- Decks
- Legs

Screwjack



**DESCRIPTION:**

Screwjack. Available in two sizes 2' and 1'. A high tensile steel threaded tube. Rounded (not acme) threads to guard against debris build-up. Short arm nut provides adjustment of Steeldeck® platform legs to allow for uneven ground.

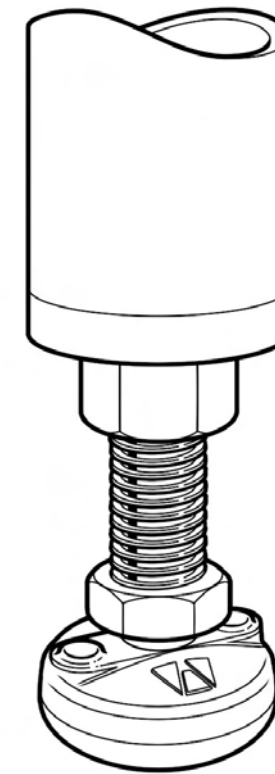
**TECHNICAL SPECIFICATIONS:**

	CARRYING WEIGHT	LOAD CAPACITY
1'	5 lbs.	2000 lbs.
2'	8 lbs.	2000 lbs.

**RELATED ACCESSORIES:**

- Decks
- Legs

Adjusting Foot



**DESCRIPTION:**

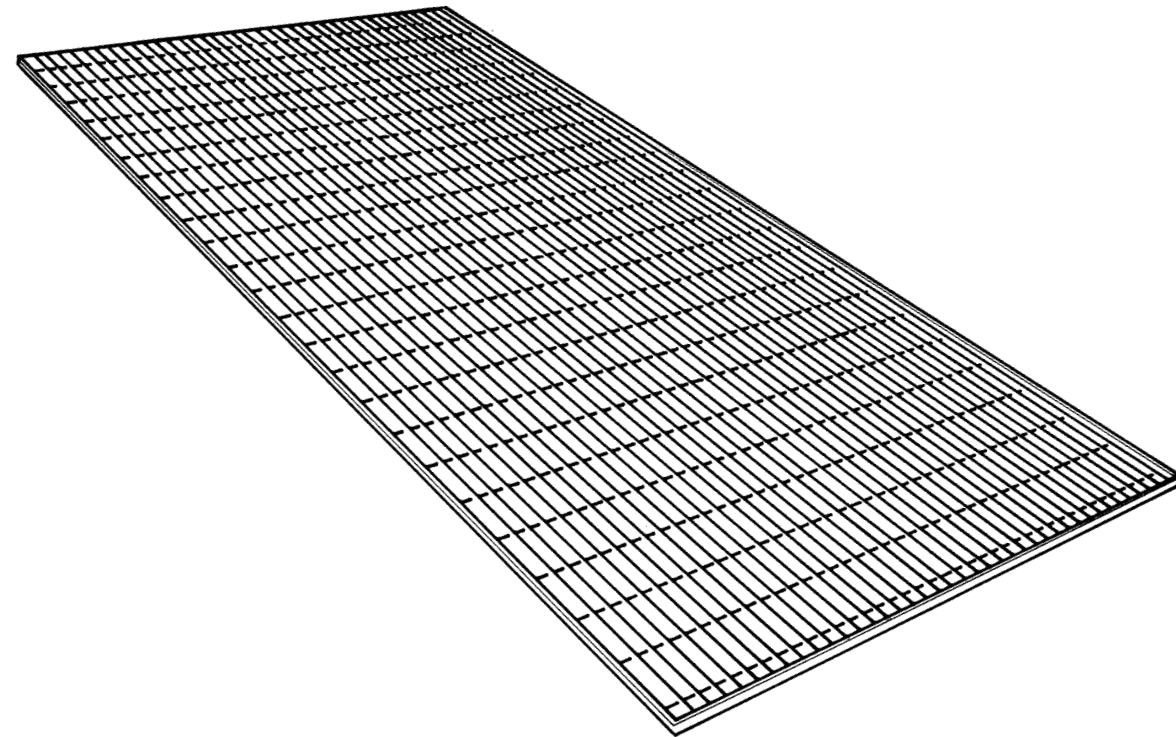
Swiveling adjusting foot uses a 3/4" – 10 thread to make up to 6" of height adjustment to a pipe leg. Locking nuts are fitted to prevent creeping in use. Larger teardrop-shaped base plates are available to allow the foot to be bolted down to the sub-floor. Useful in situations requiring small height adjustment, such as orchestra pits. Finish: black glass reinforced nylon foot and zinc plated steel thread.

**TECHNICAL SPECIFICATIONS:**

CARRYING WEIGHT	LOAD CAPACITY
1 lb.	5000 lbs.

**RELATED ACCESSORIES:**

- Decks
- Legs



**DESCRIPTION:**

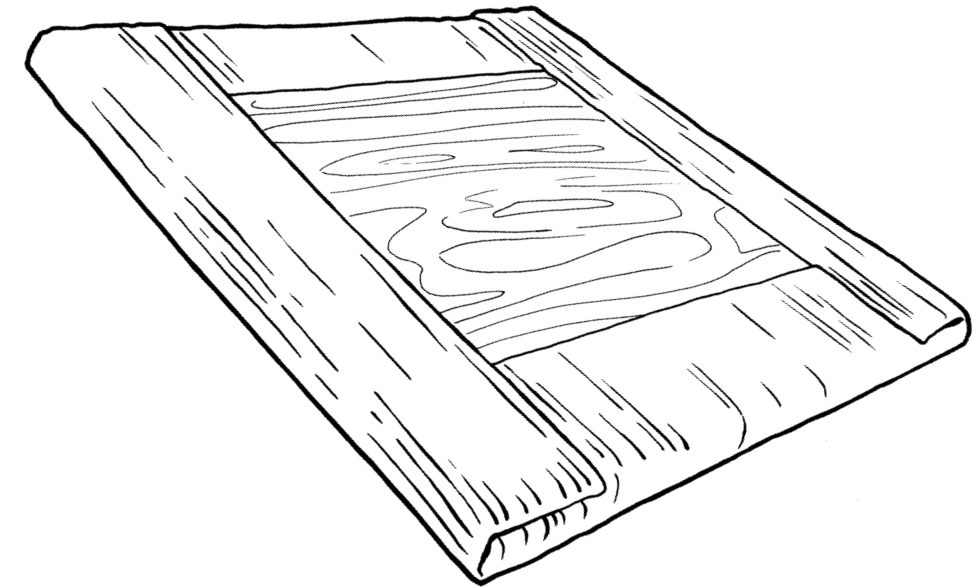
Bar Grating. 4' x 8' x 1" Gal 100 Aluminum Grating. Holes 1" x 4". Can be fitted to top of decks to replace plywood. Used by Set/Lighting Designers for special effects, such as uplighting, water effects, or smoke.

**TECHNICAL SPECIFICATIONS:**

<u>CARRYING WEIGHT</u>	<u>LOAD CAPACITY</u>
83 lbs.	4000 lbs.

**RELATED ACCESSORIES:**

- Decks



**DESCRIPTION:**

Packing. 12" x 12" x 3/4" wood blocks carpet covered. Used under legs and screwjacks to protect floors.

**TECHNICAL SPECIFICATIONS:**

<u>CARRYING WEIGHT</u>	<u>LOAD CAPACITY</u>
1.5 lbs.	1000 lbs.

**RELATED ACCESSORIES:**

- Decks
- Screwjacks
- Legs