

chicago scenic studios rentals



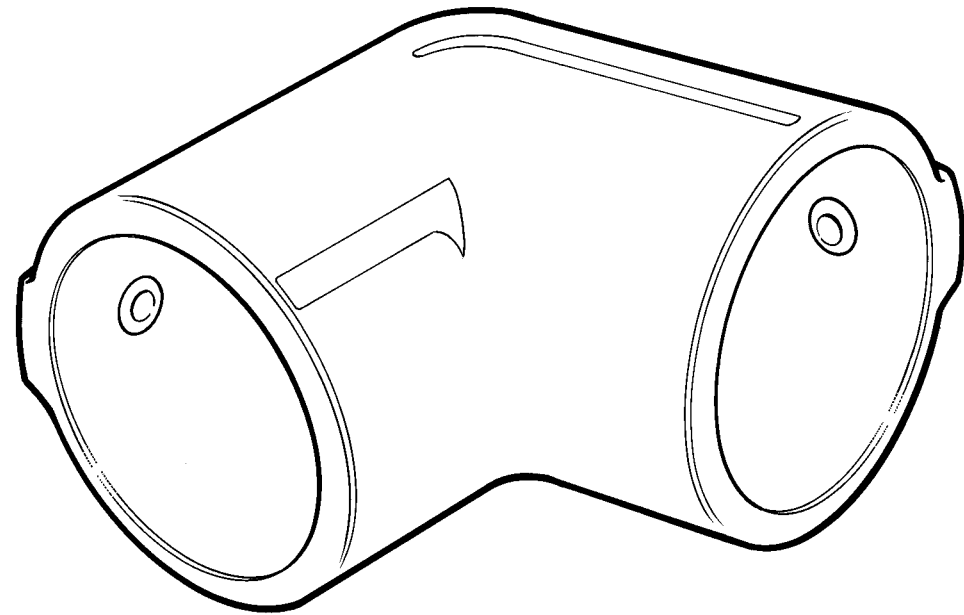
Fittings

Catalog

May 2007

FITTINGS:

Elbow – Hollaender Fitting36
Adjustable Elbow or Tee37
Fixed Clip38
Swivel Clip39
"X" Braces40
Brace Joiner.....41
M10 x 60mm Bolts42
Joint Plates43
Left/Right Hand Couplers44



DESCRIPTION:

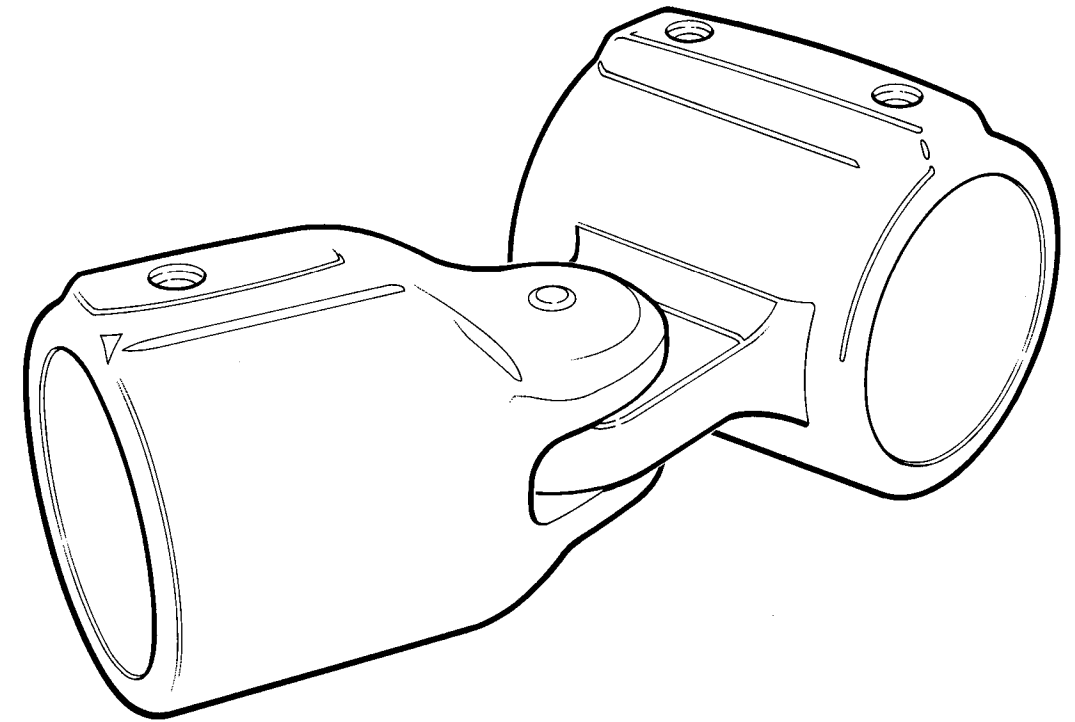
Elbow – Hollaender fitting No3 ELL. Used for connecting pipe at right angles for handrails. ³/₁₆ Hex key pinch bolt to hold pipe in place. Mill finish.

TECHNICAL SPECIFICATIONS:

CARRYING WEIGHT	LOAD CAPACITY
.7 lbs.	200 lbs.

RELATED ACCESSORIES:

- Handrails
- Steel pipe 1 1/2" Schedule 40
- Brace Joiner
- Moveable Handrail Upright



DESCRIPTION:

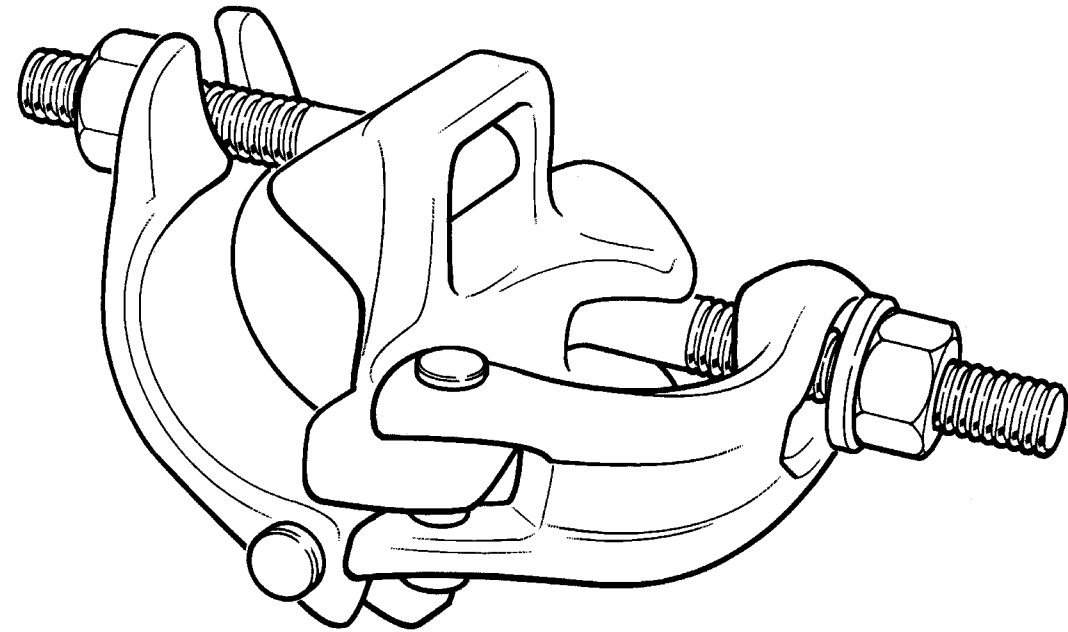
Adjustable Elbow or Tee. Hollaender fitting No17. Used for connecting pipe at an angle to vertical pipe for handrails. ³/₁₆ Hex key pinch bolt to hold pipe in place.

TECHNICAL SPECIFICATIONS:

CARRYING WEIGHT	LOAD CAPACITY
1.2 lbs.	200 lbs.

RELATED ACCESSORIES:

- Handrails
- Steel pipe 1 1/2" Schedule 40
- Brace Joiner



DESCRIPTION:

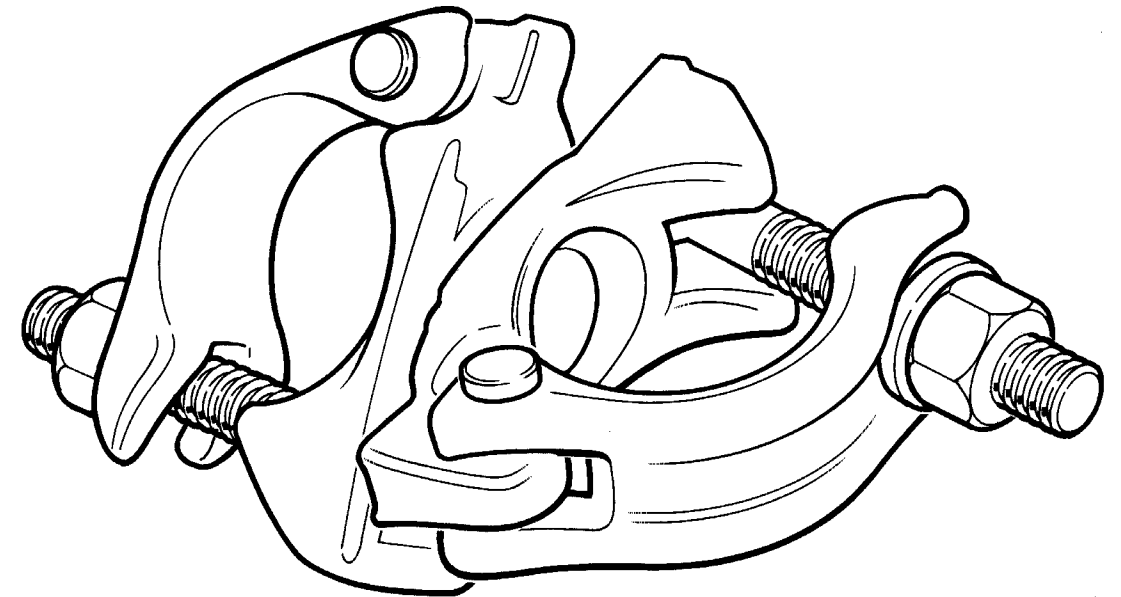
Fixed Clip. Standard scaffold connector for joining two 1 1/2" Schedule 40 pipes at 90 degrees. Used for bracing around base of legs. Finish: Galvanized.

TECHNICAL SPECIFICATIONS:

CARRYING WEIGHT	LOAD CAPACITY
2.5 lbs.	1500 lbs.

RELATED ACCESSORIES:

- Decks
- Legs



DESCRIPTION:

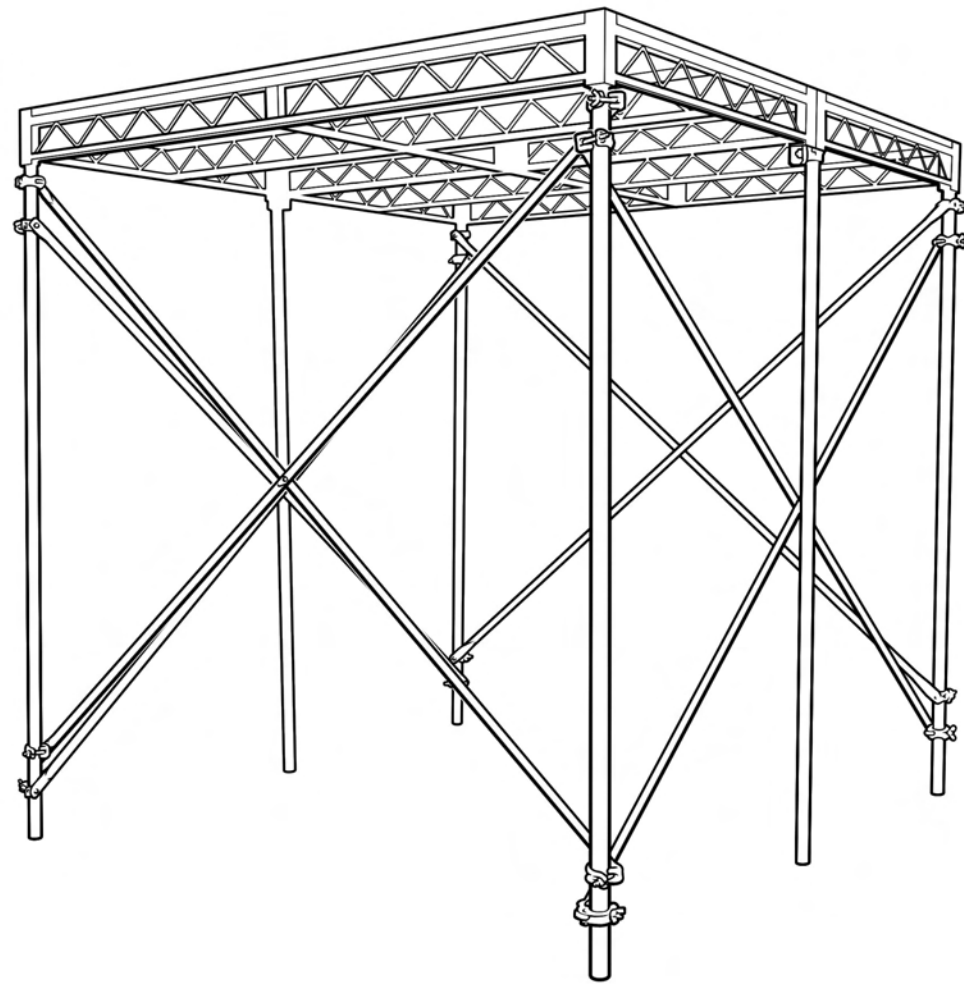
Swivel Clip. Standard scaffold connector for joining two 1 1/2" Schedule 40 pipes at any angle. Used for cross bracing of legs when decks are installed over 4ft. Finish: galvanized.

TECHNICAL SPECIFICATIONS:

CARRYING WEIGHT	LOAD CAPACITY
3.5 lbs.	1500 lbs.

RELATED ACCESSORIES:

- Decks
- Legs



DESCRIPTION:

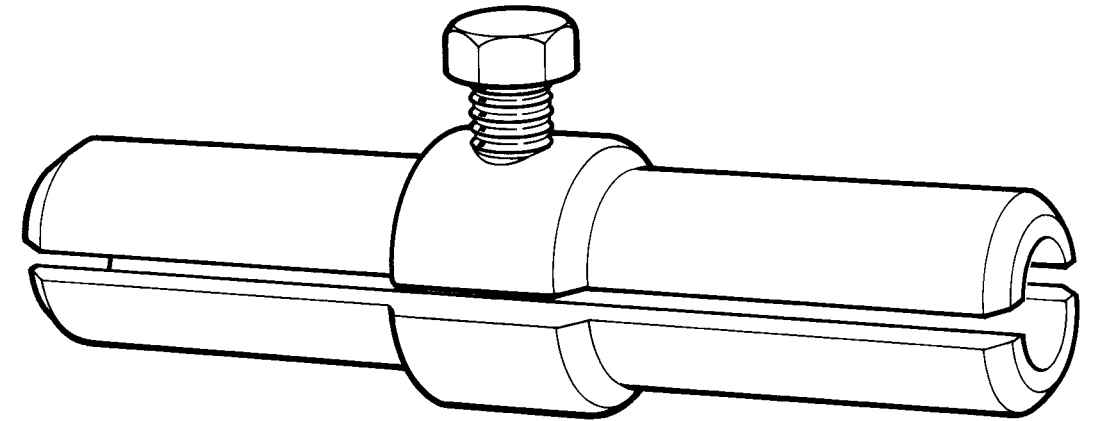
"X" Braces use two articulating steel tubes with four attached half swivel clamps to create a very efficient brace for Steeldeck® platforms above 4' high. Easily carried and assembled compared with traditional pipe and clamp bracing.

TECHNICAL SPECIFICATIONS:

"X" BRACE SIZE	CARRYING WEIGHT	LOAD CAPACITY
10'	20 lbs.	1000 lbs.
9'	19 lbs.	1000 lbs.
8'	18 lbs.	1000 lbs.

RELATED ACCESSORIES:

- Decks
- Legs



DESCRIPTION:

Brace Joiner. Used for joining 1 1/2" dia. pipe in line. Finish: galvanized zinc.

TECHNICAL SPECIFICATIONS:

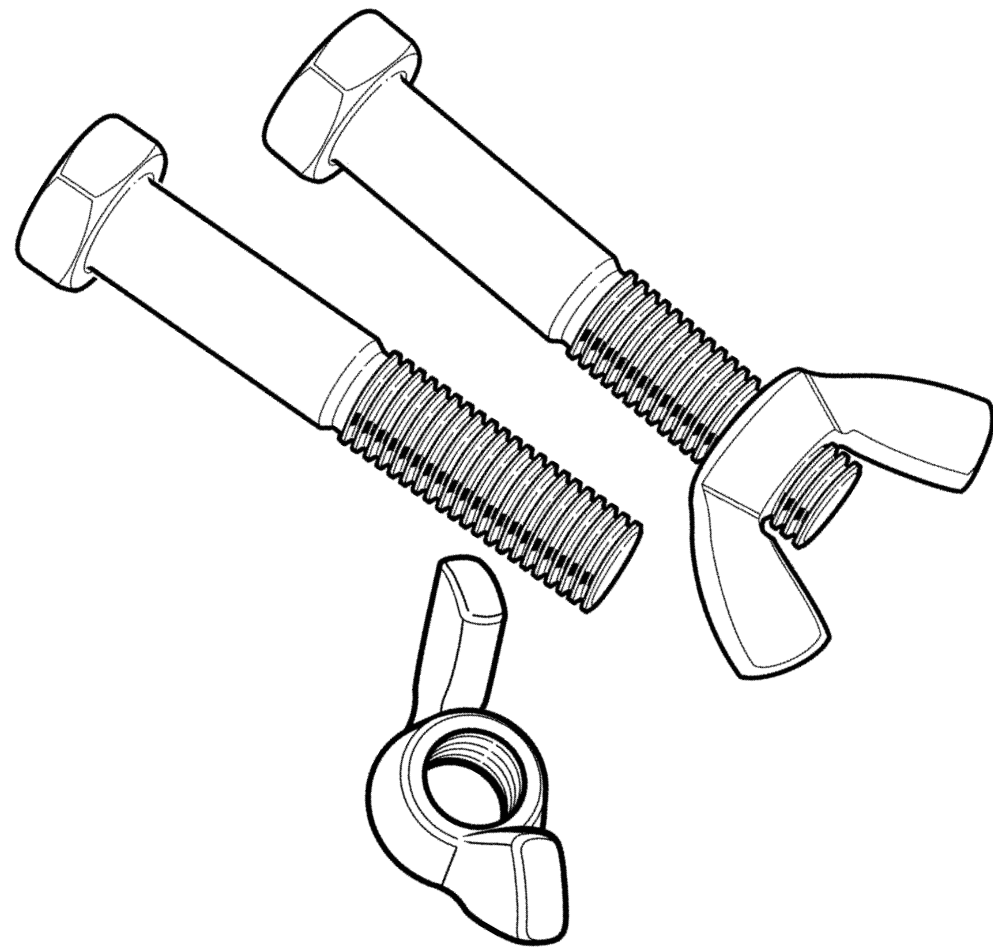
CARRYING WEIGHT	LOAD CAPACITY
2.5 lbs.	200 lbs.

RELATED ACCESSORIES:

- Handrails
- Steel pipe 1 1/2" Schedule 40
- Elbow – Hollaender Fitting
- Adjustable Elbow or Tee – Hollaender Fitting

Fittings

M10 x 60mm Bolts



DESCRIPTION:

M10 x 60mm (Grade 8.8) bolts with wing nut. Used for joining decks through pre-drilled holes along all edges of standard decks. Finish: zinc plated.

TECHNICAL SPECIFICATIONS:

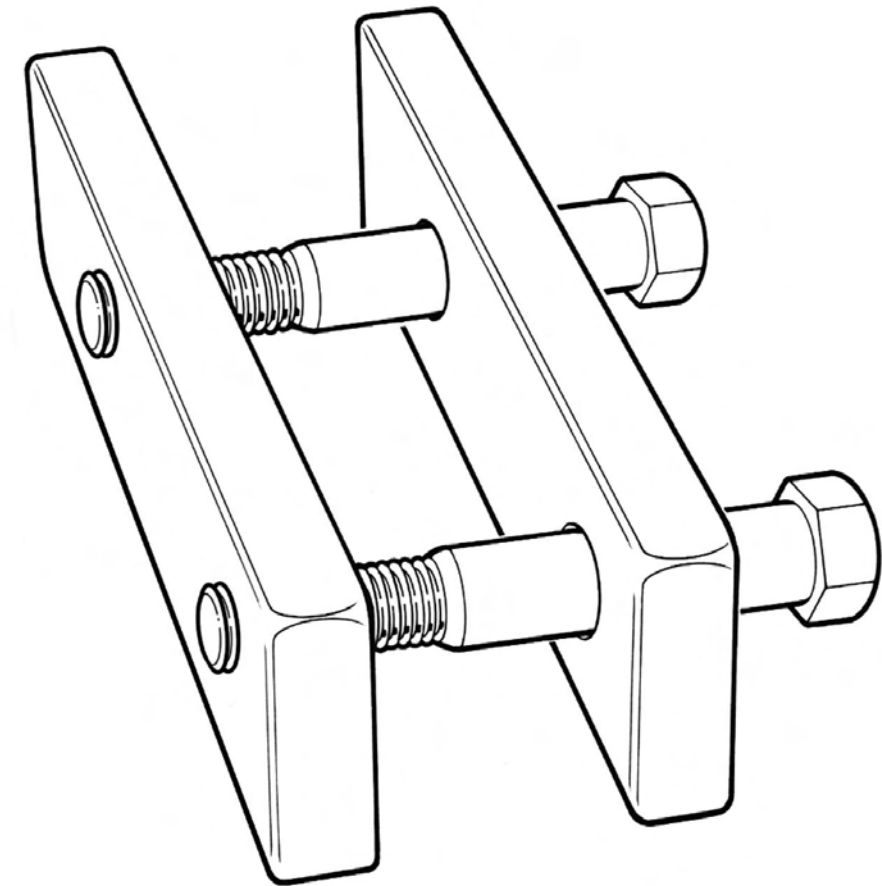
<u>CARRYING WEIGHT</u>	<u>LOAD CAPACITY</u>
50 = 6.5 lbs.	N/A

RELATED ACCESSORIES:

- Decks

Fittings

Joint Plates



DESCRIPTION:

Joint Plates. Two steel plates with pre-drilled holes for M12 x 80 bolts. Used for clamping two decks together without using the holes in the decks. Allows offset adjustments for infills. Also used when leaving legs out of decks to “bridge” obstructions. Finish: zinc plated.

TECHNICAL SPECIFICATIONS:

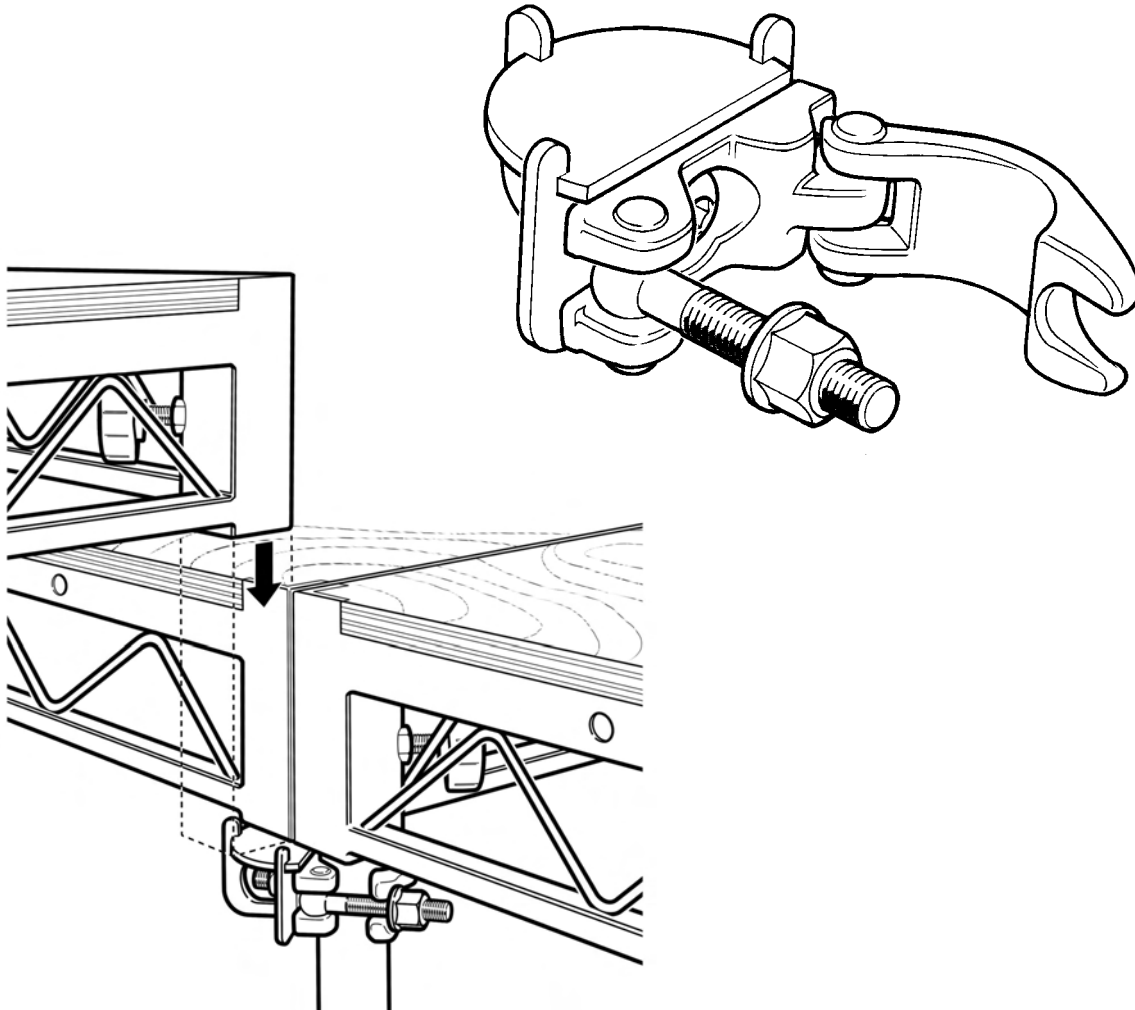
<u>CARRYING WEIGHT</u>	<u>LOAD CAPACITY</u>
2.5 lbs.	250 lbs.

RELATED ACCESSORIES:

- Decks

Fittings

Left/Right Hand Couplers



DESCRIPTION:

Left and Right Hand Coupler. Scaffold clamp with attachment plate either left or right hand to join two or more decks together with the use of one leg. Finish: zinc plated. See sketch above for detail.

TECHNICAL SPECIFICATIONS:

<u>CARRYING WEIGHT</u>	<u>LOAD CAPACITY</u>
3 lbs.	3000 lbs.

RELATED ACCESSORIES:

- Decks
- Legs